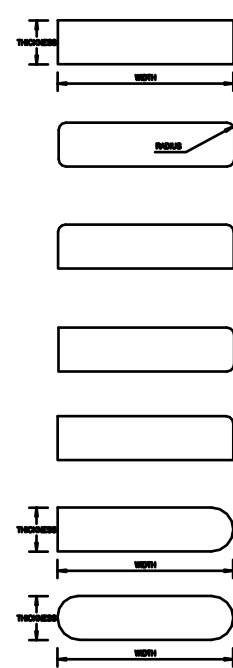
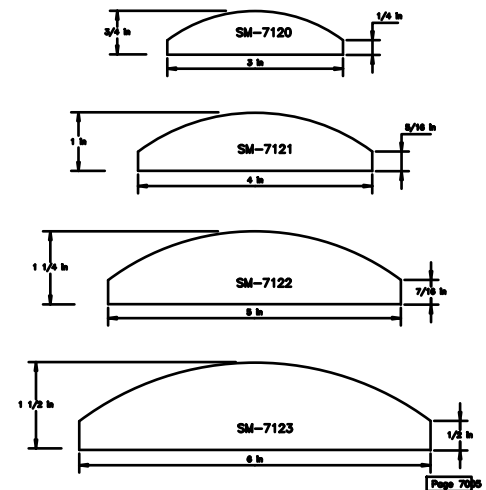
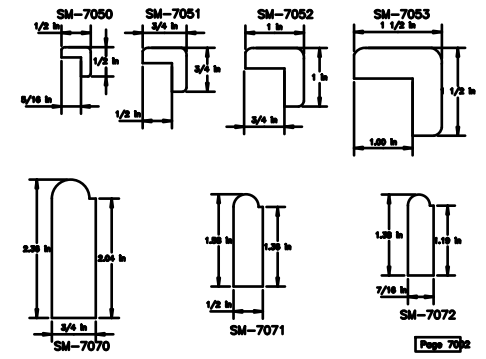
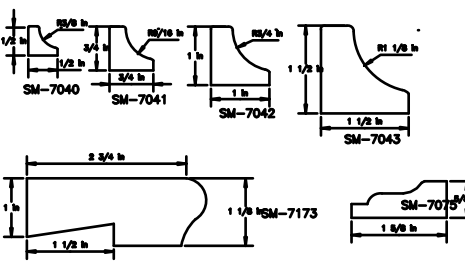
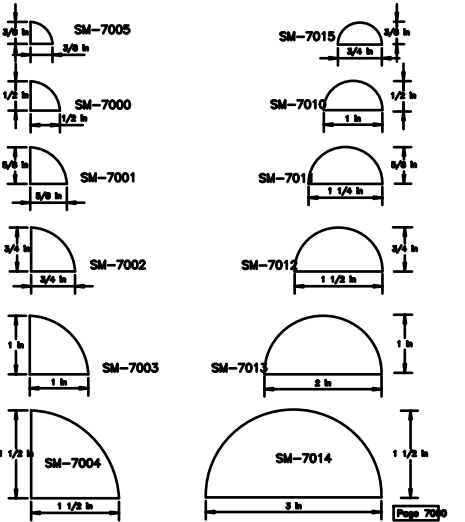


Central Wholesale Specialty Profiles



SM-7060 SURFACED 4 SIDES SQUARE CORNERS SPECIFY THICKNESS & WIDTH NEEDED SPECIFY CORNER RADIUS

SM-7061 SURFACED 4 SIDES RADIUS ALL CORNERS SPECIFY THICKNESS & WIDTH NEEDED SPECIFY CORNER RADIUS

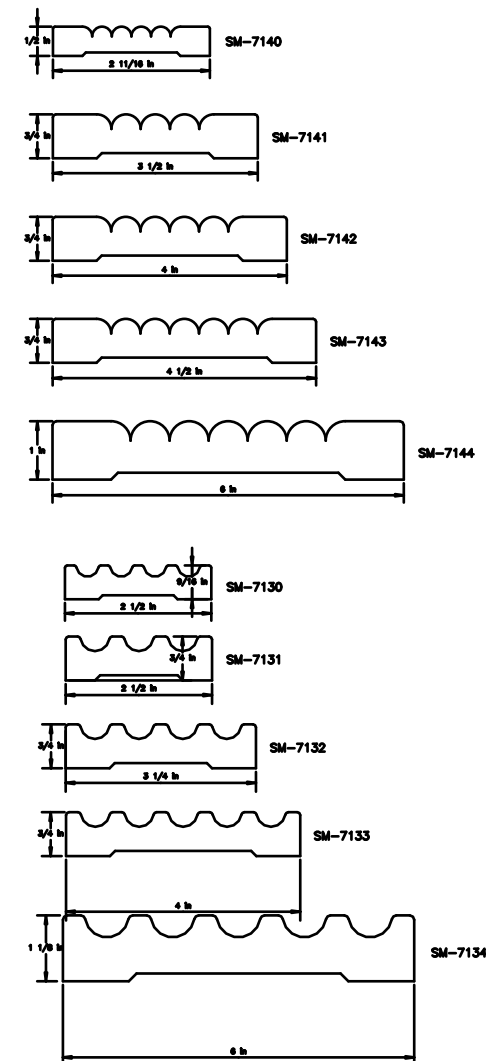
SM-7062 SURFACED 4 SIDES RADIUS BOTH FACE CORNERS SPECIFY THICKNESS & WIDTH NEEDED SPECIFY CORNER RADIUS

SM-7063 SURFACED 4 SIDES RADIUS BOTH EDGE CORNERS SPECIFY THICKNESS & WIDTH NEEDED SPECIFY CORNER RADIUS

SM-7064 SURFACED 4 SIDES RADIUS 1 CORNER SPECIFY THICKNESS & WIDTH NEEDED SPECIFY CORNER RADIUS

SM-7065 SURFACED 4 SIDES SINGLE BULLNOSE PROFILE SPECIFY THICKNESS & WIDTH NEEDED

SM-7066 SURFACED 4 SIDES DOUBLE BULLNOSE PROFILE SPECIFY THICKNESS & WIDTH NEEDED



Contact Us For inquiries email sales@central-wholesale.com